


Job Name		Engineer / Architect	
Job Location		Wholesaler	
Submittal Date		Contractor	

## KTCR19B12DL Braided Toilet Supply Kit - Compression 1/4 Turn Angle Ball Stop

**Use:** For use only in potable water distribution systems, hot and cold, in accessible locations only.

**Design Features:**

- **Everything you need** to hook up your water supply. Kits include our 1/4 turn ball stop, braided water connector, and escutcheon.
-  **No Lead**

**KT™ 1/4 turn stop provides:**

- **Machined brass ball** is specially engineered and mated with fluorocarbon seats to provide smooth operation without freeze-ups even after long periods of non-use
- **Two high-performance o-rings** withstand high temperatures and corrosion from harsh water environments
- **Machined one-piece brass body** provides strength, durability, and long-lasting performance
- **Brass stems** are assembled from the inside out with two o-rings to ensure safe, reliable performance
- **Plated stems** provide corrosion resistance and prevent o-ring damage after long periods of non-use

**Braided connector provides:**

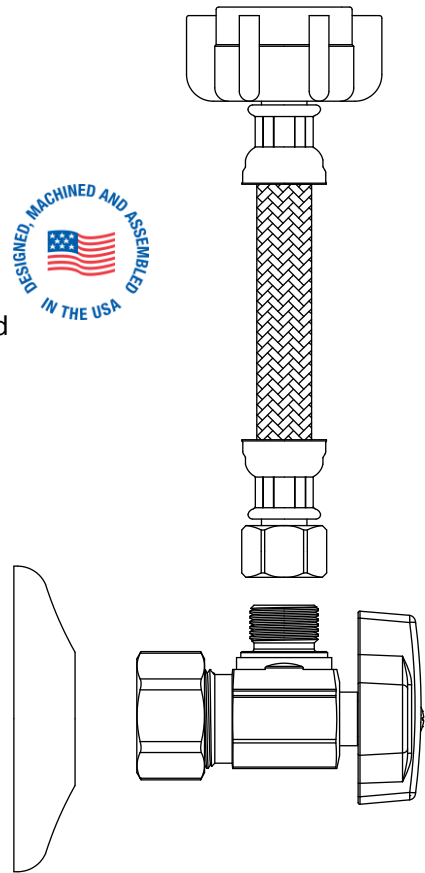
- **Superior corrosion resistance** to harsh chemicals found in most common household cleaning and plumbing repair products
- **Tough inner core** is reinforced to help resist deterioration from chlorine and chloramine contact
- **Rubber washers** provide a large pliable sealing surface and helps ensure a long lasting water tight connection
- **8-sided pneumatic crimp** provides greater dependability for realible nut-to-hose connections

**Operating Specifications:**

**Temperature:** 40°- 140° F, intermittent to 180° F

**Pressure:** 125 PSI maximum

**Tubing Diameter:** 0.300" I.D. (0.550" O.D.)



Includes 1/2" nom shallow escutcheon (see 649 submittal form for details)

*This specification and all information contained herein is the confidential and exclusive property of BrassCraft Manufacturing Co., and shall not be disclosed to others without the written consent of BrassCraft Mfg. This specification must be returned to BrassCraft Mfg. if requested.*



# KTCR19B12DL Braided Toilet Supply Kit - Compression 1/4 Turn Angle Ball Stop

CONNECTOR MATERIAL SPECIFICATIONS	
Inner Hose	Reinforced PVC
Barb	Brass
Seal	Rubber
Ferrule	Steel, zinc plated
Compression Nut	Brass
Connector Washer	Rubber
Ballcock Nut	Polypropylene or brass
Braiding	PVC coated polyester yarn

STOP MATERIAL SPECIFICATIONS	
Body	Brass, chrome plated
Stem	Brass, plated
Ball	Brass, plated
Seats	Fluorocarbon
Stem o-ring	Rubber
Handle	Zinc, die cast plated
Screw	Steel, zinc plated
Compression Sleeve	Brass
Compression Nut	Brass, chrome plated
Shallow Escutcheon	Stainless steel

**Part Listing:**

- KTCR19B12DLX C 1/2" nom compression x 3/8" OD compression 1/4 turn ball stop with 7/8" ballcock outlet x 12" length braided connector, chrome plated
- KTCR19B12DLMX C 1/2" nom compression x 3/8" OD compression 1/4 turn ball stop with 7/8" ballcock outlet, metal nut x 12" length braided connector, chrome plated

PART DIMENSIONS (Inches)				
Model	DIM. A	DIM. B	DIM. C	DIM. D
KTCR19B12DLX / DLMX	12.75 / 13.75	2.36	13.45 / 14.45	.81

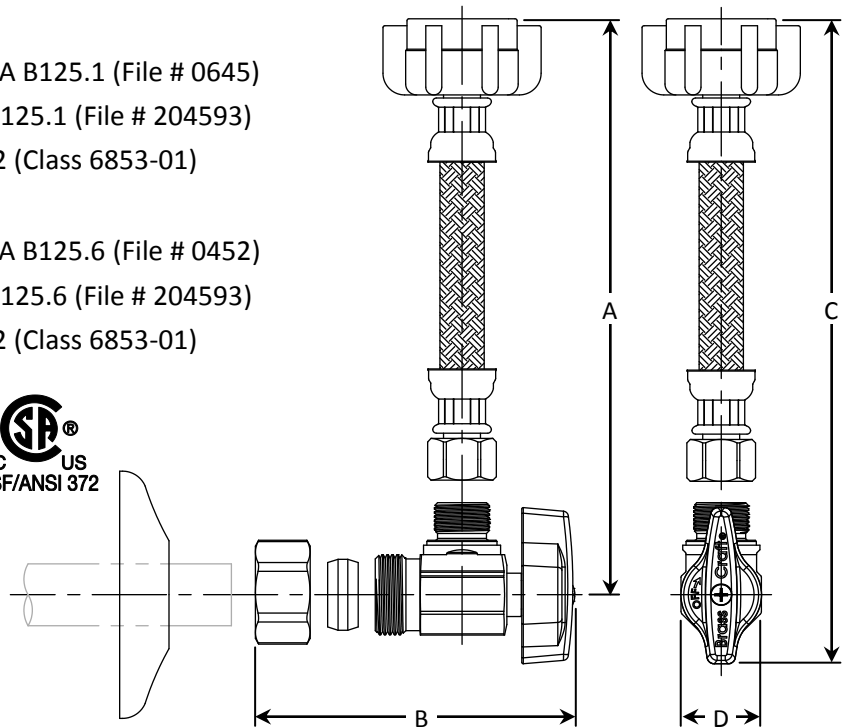
**Listings & Certifications:**

**- Supply Stop**

- IAPMO listed to ASME A112.18.1 / CSA B125.1 (File # 0645)
- CSA listed to ASME A112.18.1 / CSA B125.1 (File # 204593)
- No-lead product CSA listed to NSF 372 (Class 6853-01)

**- Water Connector**

- IAPMO listed to ASME A112.18.6 / CSA B125.6 (File # 0452)
- CSA listed to ASME A112.18.6 / CSA B125.6 (File # 204593)
- No-lead product CSA listed to NSF 372 (Class 6853-01)



*This specification and all information contained herein is the confidential and exclusive property of BrassCraft Manufacturing Co., and shall not be disclosed to others without the written consent of BrassCraft Mfg. This specification must be returned to BrassCraft Mfg. if requested.*

